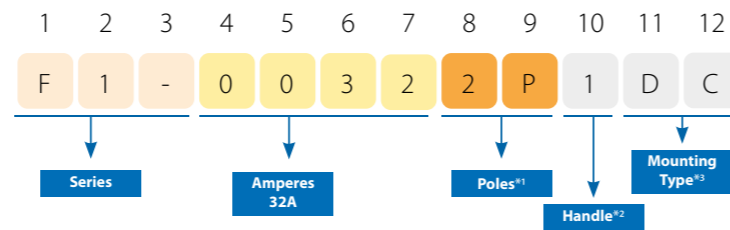


**F1 Series**  
**DC Switch-disconnectors**

▶ PRODUCT BENEFITS

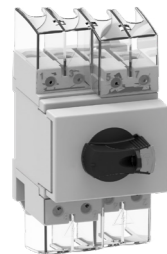
- Lockable at OFF position
- IEC/EN60947.3 standard and AS 60947.3
- IP66 (PM, DC, EA, EP)
- <sup>1</sup> **Handle**: Direct without lock (0), Direct lockable (1), External without lock (2), External lockable black (3), External lockable red-yellow (4)
- <sup>3</sup> **Mounting Type**: Distribution Board (DB), Panel Mounting (PM), Door Clutch (DC), Plastic enclosure (EP), Aluminum enclosure (EA).

▶ CODE



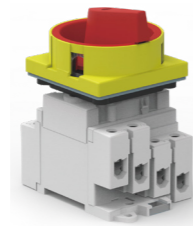
Din-Rail Mounting

D B



Panel Mounting

P M



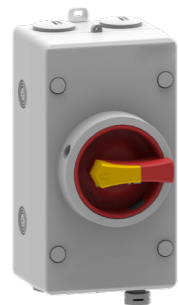
Door Interlock

D C



Plastic enclosure

E P



Aluminium enclosure

E A



▶ TECHNICAL DATA

Data according to IEC/EN60947-3:AS60947.3, UL508i, GB/T14048.3. Utilization category DC-PV1/DC-PV2.

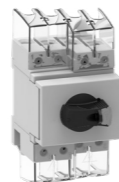


Main Parameters			
Rated insulation voltage	Ui	V	1500
Rated thermal current	Ith	A	32
Rated impulse withstand voltage	Uimp	V	8000
Rated short-time making capacity	Icw	A	1 kA, 1 S
Maximum cable cross sections (incl. jumper)			
Rigid	mm <sup>2</sup>		4-16
Flexible	mm <sup>2</sup>		4-10
Flexible (+multicore cable end)	mm <sup>2</sup>		4-10
Torque			
Tightening torque terminal screws M4.	Nm		1.2 - 1.8
Tightening torque cover mounting screws ST4.2(304 stainless steel)	Nm		1.5 - 2.0
Tightening torque knob screws M3	Nm		0.5 - 0.7
Torque switch	Nm		0.9 - 1.3
Fixing torque for base mounting	Nm		1.1 - 1.4
General parameters			
Number of operating cycles with load	Cycles		3000
Number of operating cycles without load	Cycles		10000
Number of DC poles			2 or 4
Operation temperature	°C		-40 to +85 °C
Storage temperature	°C		-40 to +85 °C
Pollution degree			3
Overvoltage category			III
IP rating (PM, DC, EA, EP)			IP66
Main Contacts			
Rated thermal current	Ith		32 A
Rated insulation voltage	Ui		1500 V
Distance of contacts (per pole)			8 mm
Rated operational current Ie (DC-PV1 / DC-PV2)			
4 layers, only 2 layers in series, with two loads <u>1 / 2 / _</u>	300V	DC-PV1: 32A	DC-PV2: 32 A
	600V	32A	32 A
	800 V	32A	16 A
	1000V	16A	9 A
4 layers, 4 layers in series, with one load <u>1 / 2 / 3 / 4 / _</u>	1200V	13A	9 A
	300V	32A	32 A
	600V	32A	32 A
	800V	32A	32 A
	1000V	32A	32 A
	1200V	32A	32 A

► POLES AND SWITCHING CONFIGURATIONS\*1

Type	2P	4P	4B	4T	4S
Contacts Wiring graph					
Schematic diagram					

► DIN-RAIL MOUNTING (DB)



Amp	Poles	lockable	Code
32	2P		F1-00322P1DB
32	4P		F1-00324P1DB
32	4B		F1-00324B1DB
32	4T		F1-00324T1DB
32	4S		F1-00324S1DB

**lockable**

Code
DF1CUA1

► PANEL MOUNTING (PM)



Amp	Poles	lockable (red/yellow)	lockable (black)	without lock (black)	Code
32	2P				F1-00322P2PM
32	4P				F1-00324P2PM
32	4B				F1-00324B2PM
32	4T				F1-00324T2PM
32	4S				F1-00324S2PM

**lockable (red/yellow)**    **lockable (black)**    **without lock (black)**

Code
DF1CUA1

► DOOR INTERLOCK (DC)

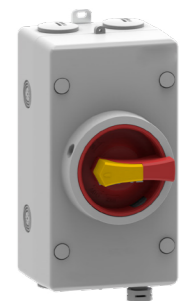


Amp	Poles	lockable (red/yellow)	lockable (black)	without lock (black)	Code
32	2P				F1-00322P2DC
32	4P				F1-00324P2DC
32	4B				F1-00324B2DC
32	4T				F1-00324T2DC
32	4S				F1-00324S2DC

**lockable (red/yellow)**    **lockable (black)**    **without lock (black)**

Code
DF1CUA1

► PLASTIC ENCLOSURE (EP)



Amp	Poles	Black handle	Emergency handle
32	2P		
32	4P		
32	4B		
32	4T		
32	4S		

**Black handle**    **Emergency handle**

Code
F1-00322P3EP
F1-00324P3EP
F1-00324B3EP
F1-00324T3EP
F1-00324S3EP

Code
F1-00322P4EP
F1-00324P4EP
F1-00324B4EP
F1-00324T4EP
F1-00324S4EP

► ALUMINIUM ENCLOSURE (EA)



Amp	Poles	Black handle	Emergency handle
32	2P		
32	4P		
32	4B		
32	4T		
32	4S		

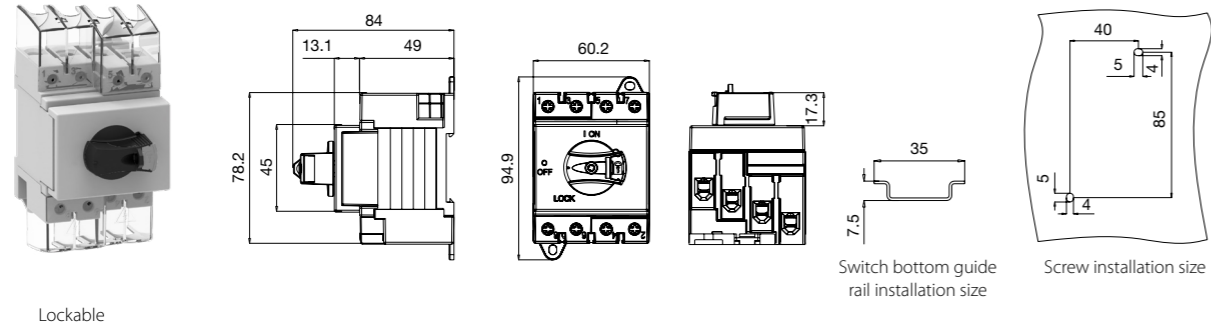
**Black handle**    **Emergency handle**

Code
F1-00322P3EA
F1-00324P3EA
F1-00324B3EA
F1-00324T3EA
F1-00324S3EA

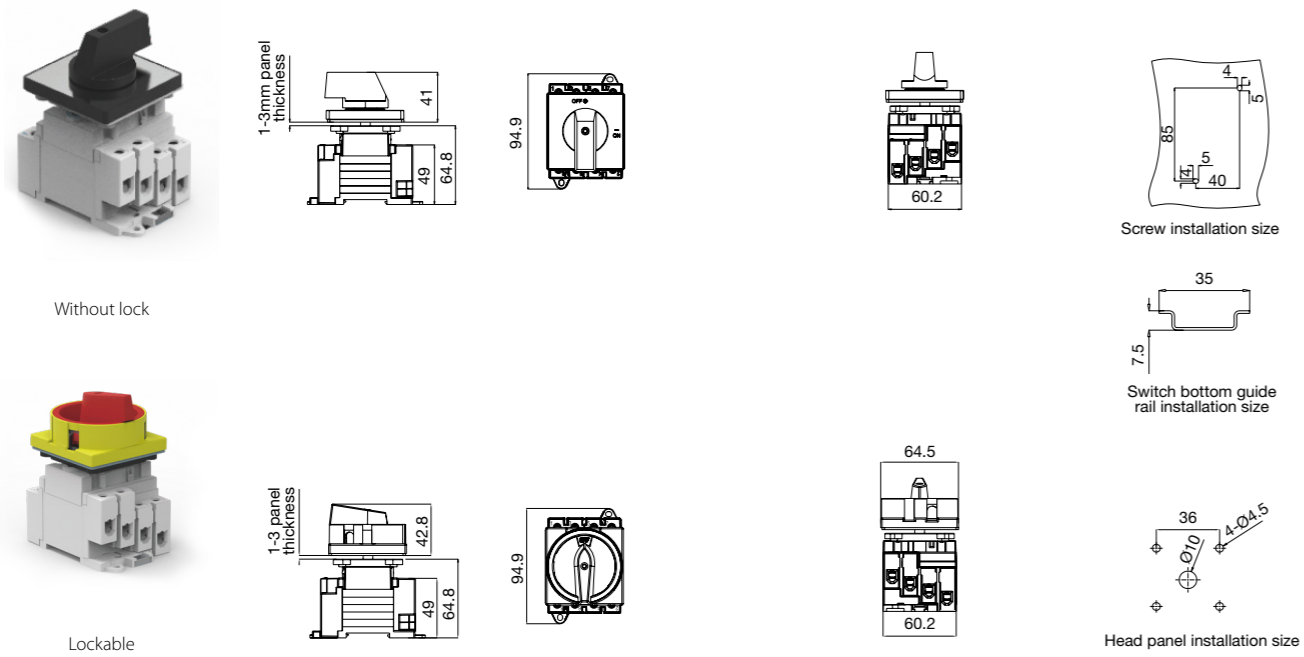
Code
F1-00322P4EA
F1-00324P4EA
F1-00324B4EA
F1-00324T4EA
F1-00324S4EA

► DIMENSIONS

DIN MOUNTING (DB)

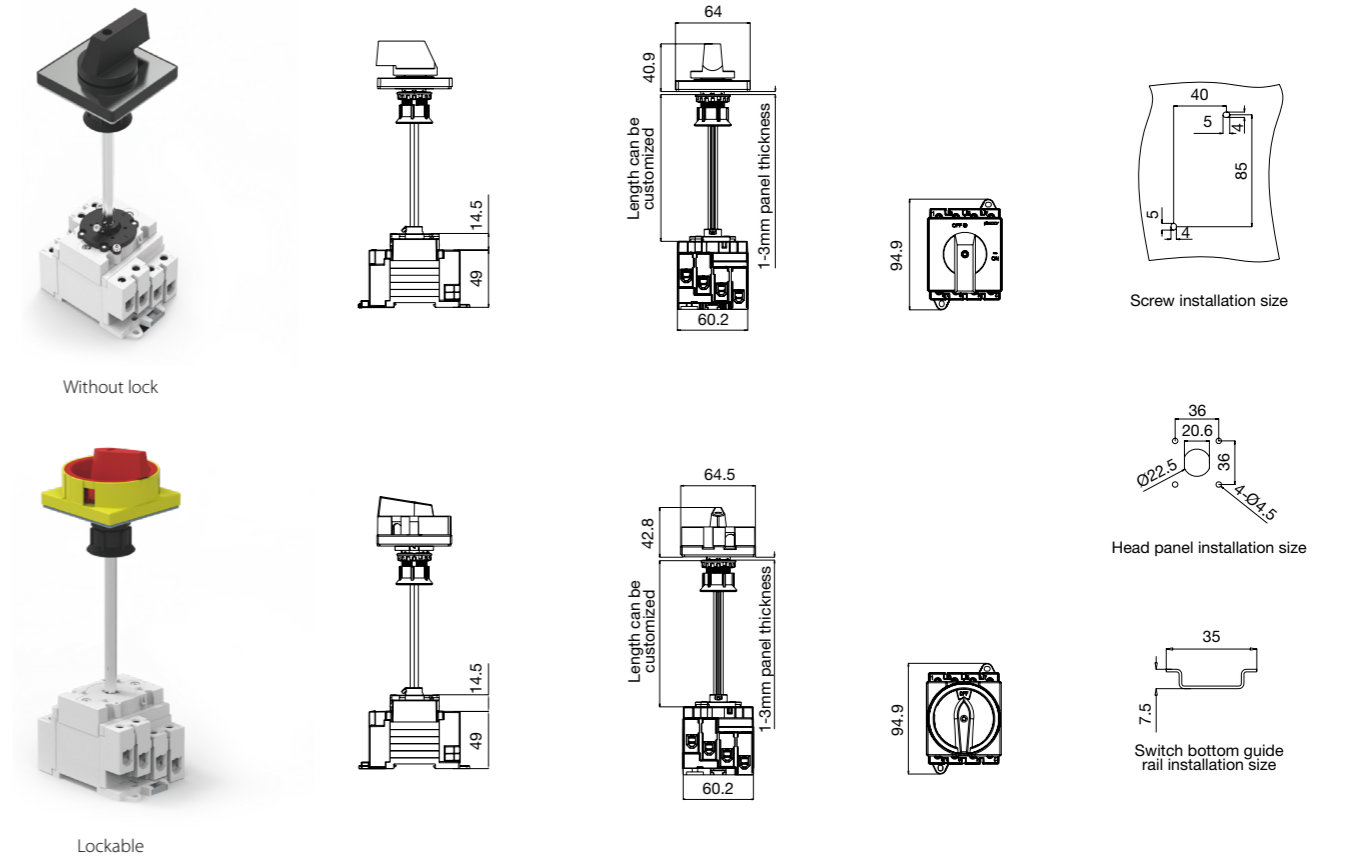


PANEL MOUNTING (PM)



► DIMENSIONS

DOOR INTERLOCK (DC)



PLASTIC & ALUMINIUM ENCLOSED

